

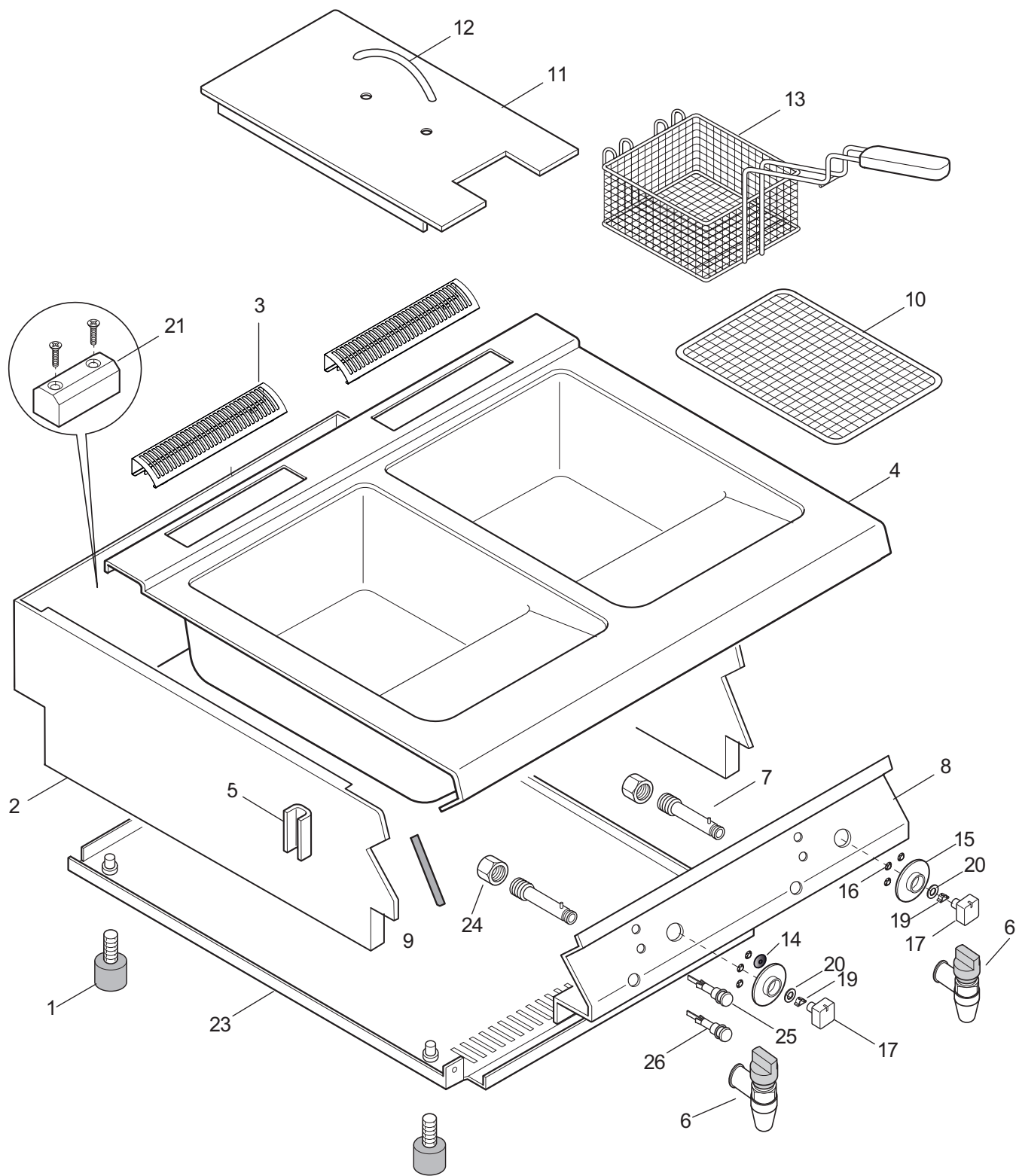
FRIGGITRICI ELETTRICHE TOP 12L E700 XP
ELECTRIC FRYERS TOP 12L E700XP

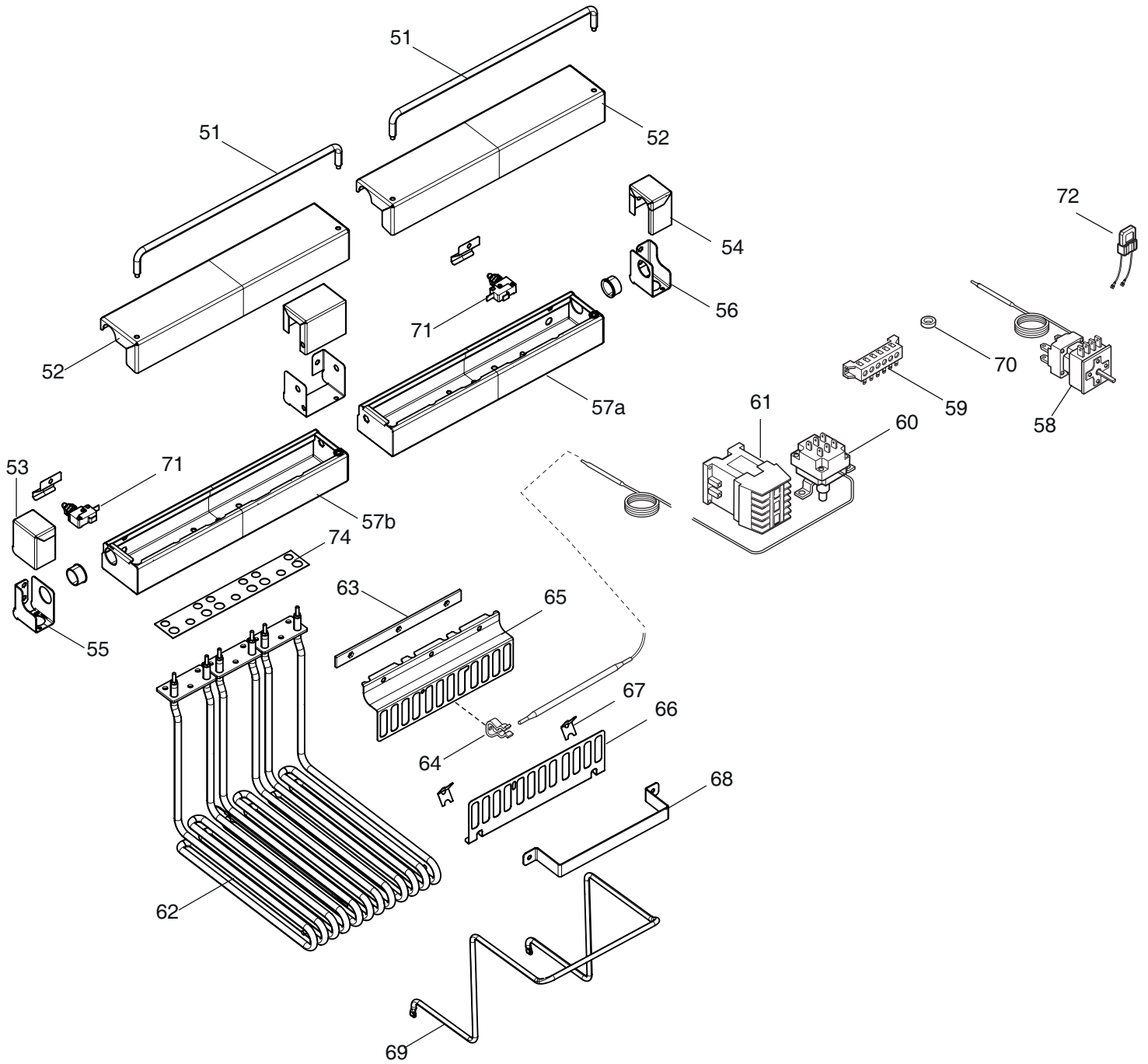
PNC	Model	Ref	Brand	Version	Notes
371079	E7FRED1E00	a	ELX	EL	12 LITRE TOP 400 MM
371080	E7FREH2E00	b	ELX	EL	2X12 LITRE TOP 800 MM
371142	E7FRED1E0N	c	ELX	EL	12 LITRE TOP 400 MM-230V
371143	E7FREH2E0N	d	ELX	EL	2X12 LITRE TOP 800MM-230V
372079	Z7FRED1E00	e	ZAN	EL	12 LITRE TOP 400 MM
372080	Z7FREH2E00	f	ZAN	EL	2X12 LITRE TOP 800 MM
372142	Z7FRED1E0N	g	ZAN	EL	12 LITRE TOP 400 MM-230V
372143	Z7FREH2E0N	h	ZAN	EL	2X12 LITRE TOP 800MM-230V
373079	A7FRED1E00	i	OEM	EL	12 LITRE TOP 400 MM
373080	A7FREH2E00	l	OEM	EL	2X12 LITRE TOP 800 MM
373142	A7FRED1E0N	m	OEM	EL	12 LITRE TOP 400 MM-230V
373143	A7FREH2E0N	n	OEM	EL	2X12 LITRE TOP 800MM-230V

Page	Index	Indice	Note
2	General components	Componenti struttura	
3	Electric components	Componenti Elettrici	
4,5	Spare parts list	Lista ricambi	

Bold=last change / Grassetto =ultima modifica

Rev. 3 Brand/Marchio: All
 Factory Code: 9PDX





FRIGGITRICI ELETTRICHE TOP 12L E700
ELECTRIC FRYERS TOP 12L E700

Pos	Factory Code	Spare part code	Descrizione	Description	Ref./Notes
			Pagina 2	Page 2	
1	315252601	026806	PIEDE	FOOT	
2	85089F701	*	RIVESTIM. LATERALE TOP 400MM	EXTERNAL PANEL TOP 400MM	ELX
2	85089FA01	*	RIVESTIM. LATERALE TOP 400MM	EXTERNAL PANEL TOP 400MM	ZAN, OEM
2	85089F801	*	RIVESTIM. LATERALE TOP 800MM	EXTERNAL PANEL TOP 800MM	ELX
2	85089FB01	*	RIVESTIM. LATERALE TOP 800MM	EXTERNAL PANEL TOP 800MM	ZAN, OEM
3	50389LP00	0C7333	GRIGLIA CAMINO	GRATE FOR CHIMNEY	
4	85589BX00	0C7764	RIPIANO/VASCA 400MM	WORKTOP/TANK 400MM	ELX
4	87089LJ00	0C7787	RIPIANO/VASCA 400MM	WORKTOP/TANK 400MM	ZAN, OEM
4	85589C000	0C7767	RIPIANO/VASCA 800MM	WORKTOP/TANK 800MM	ELX
4	87089LK00	0C7788	RIPIANO/VASCA 800MM	WORKTOP/TANK 800MM	ZAN, OEM
5	527850500	0C0156	PIASTRA FISSAGGIO FIANCHI	SIDE PANEL JOINTING PLATE	
6	835867802	0C2669	VALVOLA SCARICO	DRAIN VALVE	
7	517895901	0C3996	PROLUNGA SCARICO	DRAIN EXTENSION	
8	85589B302	0C7747	CRUSCOTTO 400mm	CONTROL PANEL 400MM	ELX
8	87089LB01	0C7782	CRUSCOTTO 400mm	CONTROL PANEL 400MM	ZAN
8	800839B00	*	CRUSCOTTO 400mm	CONTROL PANEL 400MM	OEM
8	85589B402	0C7748	CRUSCOTTO 800mm	CONTROL PANEL 800MM	ELX
8	87089LD01	0C7784	CRUSCOTTO 800mm	CONTROL PANEL 800MM	ZAN
8	800839C00	*	CRUSCOTTO 800mm	CONTROL PANEL 800MM	OEM
9	543821900	0C2496	GUARNIZIONE X CRUSCOTTO	GASKET, CONTROL PANEL	
10	830885400	005965	GRIGLIA DI FONDO	GRATE FOR BOTTOM	
11	522894601	0C2702	COPERCHIO	LID	
12	511819000	0C0614	MANIGLIA COPERCHIO	HANDLE, LID	
13	830841106	054960	CESTELLO	BASKET	
14	541813800	0C6171	GUARNIZIONE SILICONE	SILICONE GASKET	
15	548877L00	0C7481	GHIERA	RING, KNOB	ELX
15	548879W00	0C7485	GHIERA	RING, KNOB	ZAN, OEM
16	218912211	069567	MOLLA PER GHIERA	SPRING, RING KNOB	
17	511850G01	0C6670	MANOPOLA	KNOB	ELX
*	548877V00	0C7345	ADATTATORE MANOPOLA	KNOB, ADAPTER	ELX
17	548878201	0C7232	MANOPOLA	KNOB	ZAN
17	548865500	0A5621	MANOPOLA	KNOB	OEM
19	214590701	025245	MOLLETTA PER MANOPOLA	SPRING, KNOB	
20	543821000	053816	GUARNIZIONE PER MANOPOLA	GASKET, KNOB	
21	516860702	0C0137	PIASTRA GIUNZIONE APPARECC.	JOINTING REAR PLATE	
23	5038A2F00	*	FONDO TOP 400MM	BOTTOM TOP 400MM	
23	5038A2G00	*	FONDO TOP 800MM	BOTTOM TOP 800MM	
24	517862300	0C0756	MANICOTTO	COUPLING	
25	876800002	005010	LAMPADA VERDE	GREEN LAMP	
26	876800102	005011	LAMPADA ARANCIO	ORANGE LAMP	

FRIGGITRICI ELETTRICHE TOP 12L E700
ELECTRIC FRYERS TOP 12L E700

Pos	Factory Code	Spare part code	Descrizione	Description	Ref./Notes
			Pagina 3	Page 3	
51	516880800	0C2578	SUPPORTO CESTELLI	SUPPORT, BASKET	
52	522894400	0C2942	COPERCHIO SCATOLA RESISTENZE	COVER, HEATING ELEMENTS BOX	Up to 2023/49
52	080589H700	0CBCGB	COPERCHIO SCATOLA RESI-STENZE	COVER, HEATING ELEMENTS BOX	From 2023/50
53	528851501	0C2943	COPERTURA SINISTRA	LEFT END COVER	
54	528851401	0C2944	COPERTURA DESTRA	RIGHT END COVER	
55	528851101	0C2945	SUPPORTO SINISTRO RESISTENZE	LEFT SUPPORT, HEAT.ELEMENT	800MM – Up to 2023/49
55	528851102	0CBCEZ	SUPPORTO SINISTRO RESI-STENZE	LEFT SUPPORT, HEAT.ELEMENT	800MM - From 2023/50
55	532815400	*	SUPPORTO SINISTRO RESISTENZE	LEFT SUPPORT, HEAT.ELEMENT	400MM – Up to 2023/49
55	532815401	0CBCF0	SUPPORTO SINISTRO RESI-STENZE	LEFT SUPPORT, HEAT.ELEMENT	400MM _ From 2023/50
56	528851001	0C2946	SUPPORTO DESTRO RESISTENZE	RIGHT SUPPORT, HEAT.ELEMENT	Up to 2023/49
56	528851002	0CBCEY	SUPPORTO DESTRO RESISTEN-ZE	RIGHT SUPPORT, HEAT.ELEMENT	From 2023/50
57a	83089R102		SCATOLA RESISTENZE DESTRA	RIGHT HEATING ELEMENTS BOX	
57b	83089R302		SCATOLA RESISTENZE SINISTRA	LEFT HEATING ELEMENTS BOX	2x12LT 800MM
58	446578713	052330	INTERRUTTORE CON TERMOSTATO	SWITCH WITH THERMOSTAT	
59	A05714000	058613	MORSETTIERA FV122B	TERMINAL BOARD FV122B	
59	639808600	0F0112	MORSETTIERA	TERMINAL BOARD	800MM - 230V
60	646808800	004472	TERMOSTATO DI SICUREZZA	SAFETY THERMOSTAT	
61	648807400	006879	CONTATTORE	CONTACTOR	
62	617831900	0C2617	RESISTENZA	HEATING ELEMENT	Up to 2023/49
62	617831901	0CBCF1	RESISTENZA	HEATING ELEMENT	From 2023/50
63	525885501	0C0052	TRAVERSINO	CROSSBAR	
64	214582200	052262	MOLLETTA FISSAGGIO CAPILLARI	SPRING, FIX CAPILLARY	
65	522806202	0C0053	GUIDA POSTERIORE RESI-STENZE	REAR RUNNER, HEAT.ELEM.	
66	522806402	0C0054	GUIDA ANTERIORE RESISTEN-ZE	FRONTAL RUNNER, HEAT.ELEM.	
67	506873801	002505	PIASTRINA	PLATE	
68	805847002	005366	SUPPORTO STAFFA	SUPPORT, HOLDER	
69	516883001	0C2580	STAFFA PER RESISTENZE 18Lt	HOLDER FOR HEAT.ELEM. 18Lt	
70	544802300	0C0068	PRESSACAVO	SCREW CABLE GLAND	
71	640803300	002785	MICROINTERRUTTORE	MICRO SWITCH	
72	694801500	003551	SNUBBER	SNUBBER	12 LT Top 400
73	518803000	0C7586	INSERTO M6		1 pc
73	518803100	0C7118	INSERTO M5		9 pcs
74	543845800	0CBCV2	GUARNIZIONE RESISTENZA	HEATING ELEMENT GASKET	