

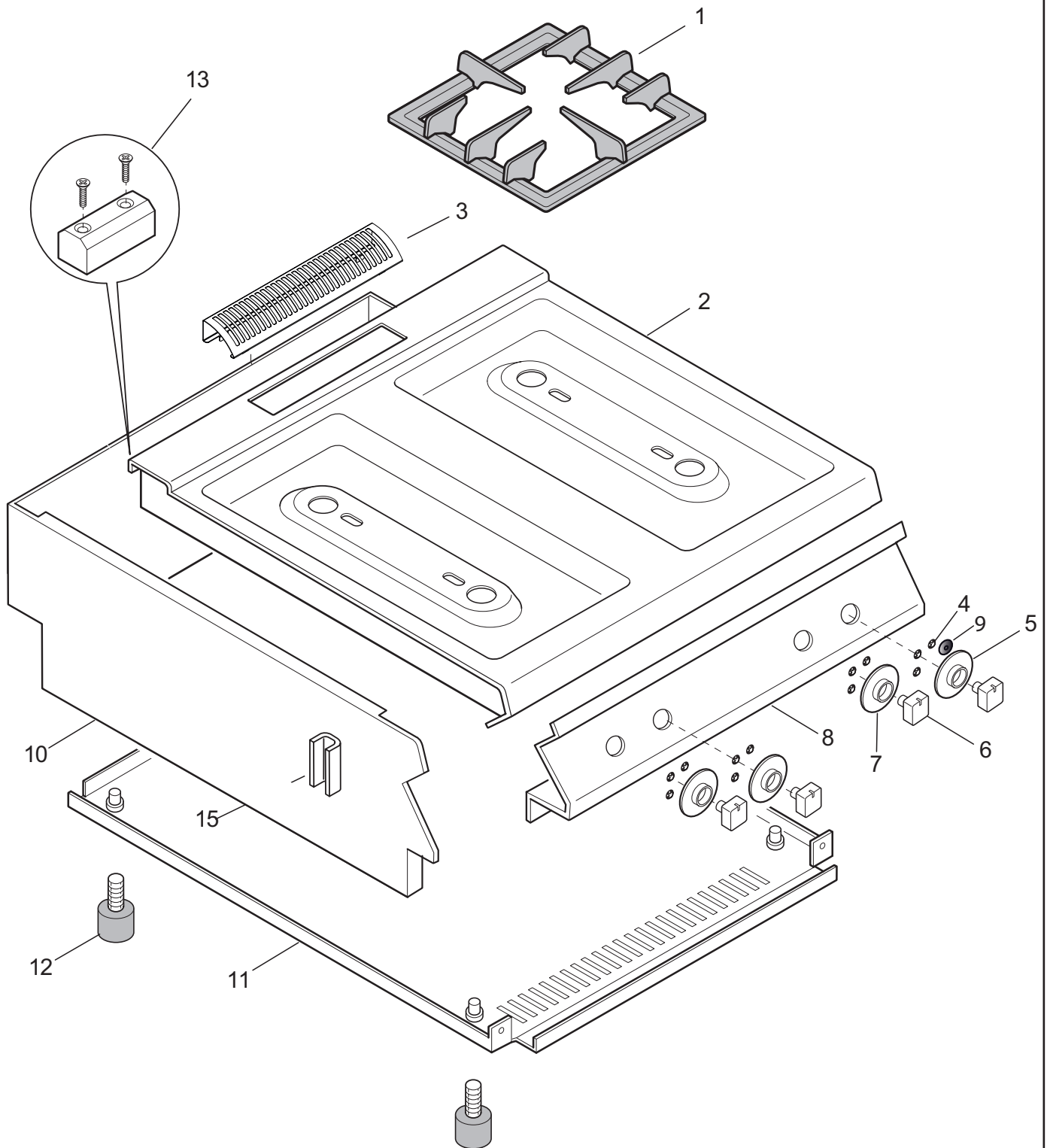
CUCINE GAS TOP E700XP GAS COOKING TOP E700XP

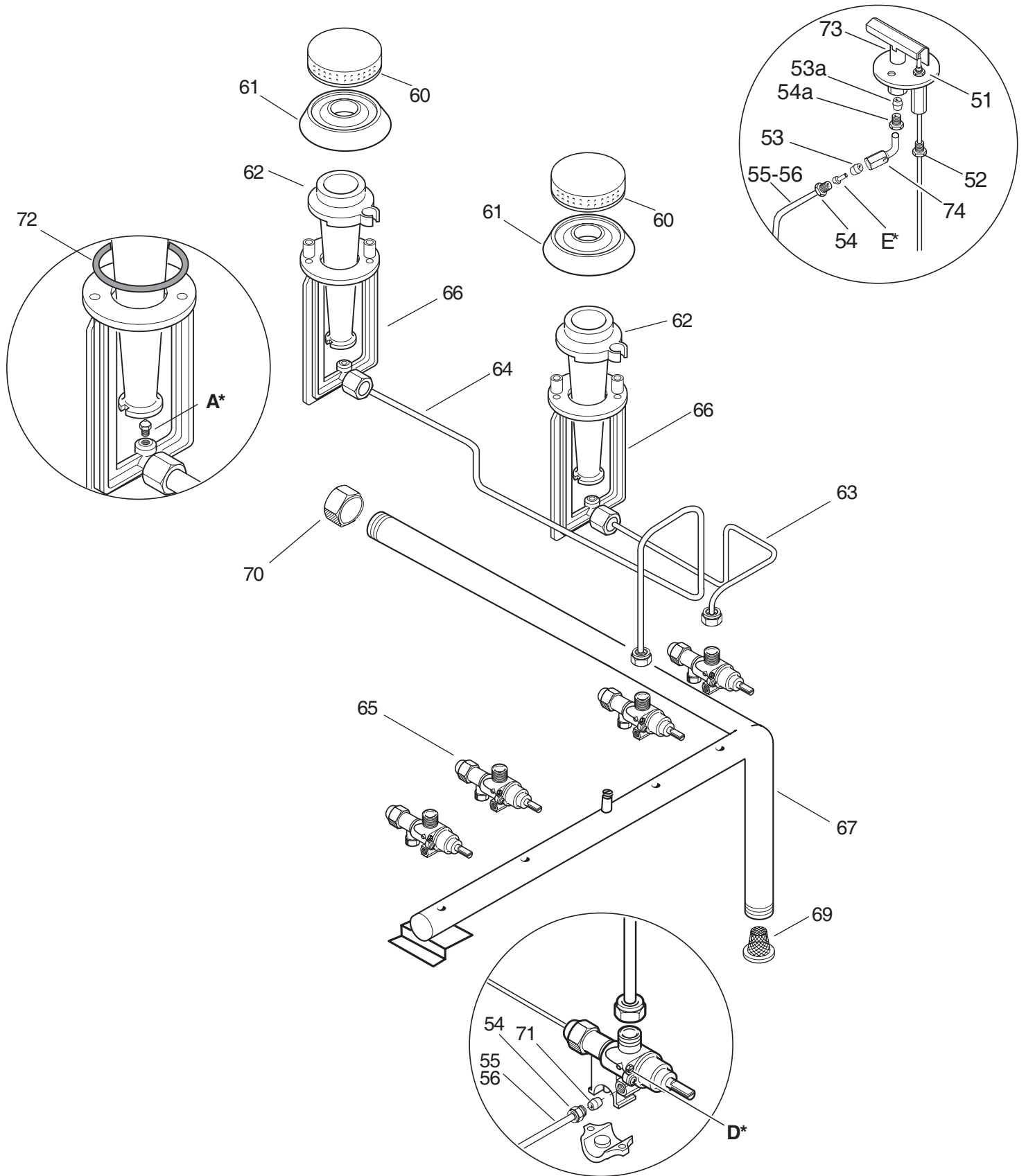
PNC	Model	Ref	Brand	Notes
371000	E7GCGD2C00	a	EPR	2-BURNER 400 MM
371001	E7GCGH4C00	b	EPR	4-BURNER 800 MM
371004	E7GCGL6C00	c	EPR	6-BURNER 1200 MM
371166	E7GCGD2C0A	d	EPR	2-BURNER 400 MM-AUS
371167	E7GCGH4C0A	e	EPR	4-BURNER 800 MM-AUS
371170	E7GCGL6C0A	f	EPR	6-BURNER 1200 MM-AUS
371178	E7GCGH4C00	a1	EPR	4-BURNER GAS RANGE+OPEN BASE 800 MM
371179	E7GCGL6C00	a2	EPR	6-BURNER GAS RANGE+OPEN BASE 1200 MM
371400	E7AAATAOMCI	a	EPR	2-BURNER GAS BOILING TOP 400 MM
371401	E7AAETAOMEI	b	EPR	4-BURNER GAS BOILING TOP 800 MM
371405	E7AAFTAOMII	c	EPR	6-BURNER GAS BOILING TOP 1200 MM
372000	Z7GCGD2C00	g	ZAN	2-BURNER 400 MM
372001	Z7GCGH4C00	h	ZAN	4-BURNER 800 MM
372004	Z7GCGL6C00	i	ZAN	6-BURNER 1200 MM
372146	Z7GCGD2C0A	l	ZAN	2-BURNER 400 MM-AUS
372147	Z7GCGH4C0A	m	ZAN	4-BURNER 800 MM-AUS
372150	Z7GCGL6C0A	n	ZAN	6-BURNER 1200 MM-AUS
372153	Z7GCGD2C0H	o	ZAN	2-BURNER 400 MM-HAKVOORT
372154	Z7GCGH4C0H	p	ZAN	4-BURNER 800 MM-HAKVOORT
372156	Z7GCGL6C0H	q	ZAN	6-BURNER 1200MM-HAKVOORT
372178	Z7GCGH4C00	w	ZAN	4-BURNER GAS RANGE+OPEN BASE 800 MM
372179	Z7GCGL6C00	a3	ZAN	6-BURNER GAS RANGE+OPEN BASE 1200 MM
372400	Z7AAITAOMCI	g	ZAN	2-BURNER GAS BOILING TOP 400MM - QMARK
372401	Z7AAKTAOMEI	h	ZAN	4-BURNER GAS BOILING TOP 800MM - QMARK
372406	Z7AANTAOMII	i	ZAN	6-BURNER GAS BOILING TOP 1200MM - QMARK
373000	A7GCGD2C00	r	OEM	2-BURNER 400 MM
373001	A7GCGH4C00	s	OEM	4-BURNER 800 MM
373004	A7GCGL6C00	t	OEM	6-BURNER 1200 MM
373166	A7GCGD2C0A	z	OEM	2-BURNER 400 MM-AUS
373167	A7GCGH4C0A	z	OEM	4-BURNER 800 MM-AUS
373170	A7GCGL6C0A	z	OEM	6-BURNER 1200 MM-AUS
373178	A7GCGH4C00	x	OEM	4-BURNER GAS RANGE+OPEN BASE 800 MM
373179	A7GCGL6C00	a4	OEM	6-BURNER GAS RANGE+OPEN BASE 1200 MM
373220	A7GCGD2KC0K	u	KIP	2-BURNER 400 MM
373221	A7GCGH4C0K	v	KIP	4-BURNER 400 MM

Index	Page	Notes
Gas top / Componenti top	2	
Gas components / componenti gas	3	
Nozzles table / Tabelle ugelli	4	
Spare parts list / Lista ricambi	5-7	

Bold=last change / Grassetto =ultima modifica

8
Rev.





A - Ugello bruciatore / Burner nozzle ø60			
Spare Code	Ref. / Notes		
0CBAUG	ø1.15	3+3B/P	G30 30mbar
511852700	ø1.05	3B/P	G30 37mbar
511852800	ø1.00	3B/P	G30 50mbar
0CBAUK	ø1.80	2H/2E+	G20 20mbar
51689B000	ø1.70	2H	G20 25mbar
0C2345	ø1.65/1.90	2L	G25 25mbar
0C2345	ø1.65/1.90	2K	G25.3 25mbar
0CBB37	ø1.80/2.10	2ELL	G25 20mbar
0C2805	ø1.75/2.10	2S	G25.1 25mbar
0CBAUJ	ø3.40	1a	G110 8mbar
0CBAUJ	ø3.40	1b	G120 8mbar

E - Ugello pilota / Pilot nozzle			
Spare Code	Ref./ Notes		
054593	n°25	3+3B/P	G30 30mbar
054593	n°25	3B/P	G30 37mbar
054593	n°25	3B/P	G30 50mbar
053670	n°41	2H/2E+	G20 20mbar
053670	n°41	2H	G20 25mbar
053670	n°41	2L	G25 25mbar
053670	n°41	2K	G25.3 25mbar
053670	n°41	2ELL	G25 20mbar
053670	n°41	2S	G25.1 25mbar
053669	n°75	1a	G110 8mbar
053669	n°75	1b	G120 8mbar

D - Vite di minimo / Min screw ø60			
Spare Code	Ref. / Notes		
002911	Ø0.55	3+3B/P	G30 30mbar
002911	Ø0.55	3B/P	G30 37mbar
002925	Ø0.50	3B/P	G30 50mbar
002899	Ø0.80	2H/2E+	G20 20mbar
002899	Ø0.80	2H	G20 25mbar
002899	Ø0.80	2L	G25 25mbar
002899	Ø0.80	2K	G25.3 25mbar
002899	Ø0.80	2ELL	G25 20mbar
002899	Ø0.80	2S	G25.1 25mbar
-	adjust	1a	G110 8mbar
-	adjust	1b	G120 8mbar

CUCINE GAS TOP E700XP
GAS COOKING TOP E700XP

Pos	Spare Part Code	Factory Code	Descrizione	Description	Ref./Notes
			PAGINA 2	PAGE 2	
1	0C2526	511821400	GRIGLIA FUOCHI GHISA	GRID	
2	0C7856	87089A700	RIPIANO 400mm	TABLE TOP 400mm	ELX
2	0C7723	87089A900	RIPIANO 800mm	TABLE TOP 800mm	ELX
2	0C7724	87089AA00	RIPIANO 1200mm	TABLE TOP 1200mm	ELX
2	0C7861	87089G700	RIPIANO 400mm	TABLE TOP 400mm	ZAN
2	0C7733	87089G800	RIPIANO 800mm	TABLE TOP 800mm	ZAN
2	0C7734	87089G900	RIPIANO 1200mm	TABLE TOP 1200mm	ZAN
2	0C7861	87089G700	RIPIANO 400mm	TABLE TOP 400mm	OEM
2	0C7733	87089G800	RIPIANO 800mm	TABLE TOP 800mm	OEM
2	0C7734	87089G900	RIPIANO 1200mm	TABLE TOP 1200mm	OEM
3	0C7705	50389LM00	GRIGLIA CAMINO	GRATE FOR CHIMNEY	
4	069567	218912211	MOLLETTA PER GHIERA	SPRING, KNOB RING	
5	0C6671	548876S01	GHIERA MANOPOLA FUOCHI ANT.	KNOB RING, FRONT BURNER	ELX Up to 2023/26
5	0CBB0Q	54887FG00	GHIERA MANOPOLA FUOCHI ANT.	KNOB RING, FRONT BURNER	ELX From 2023/27
5	0C7243	548879F00	GHIERA MANOPOLA FUOCHI ANT.	KNOB RING, FRONT BURNER	ZAN, OEM Up to 2023/26
5	0CBB0S	54887FJ00	GHIERA MANOPOLA FUOCHI ANT.	KNOB RING, FRONT BURNER	ZAN, OEM From 2023/27
6	0C8645	54887AV00	MANOPOLA PER RUBINETTO GAS	KNOB, GAS TAP	ELX
6	0C7425	548878101	MANOPOLA PER RUBINETTO GAS	KNOB, GAS TAP	ZAN
6	0C1007	548865600	MANOPOLA PER RUBINETTO GAS	KNOB, GAS TAP	OEM
6	0C1007	548865600	MANOPOLA PER RUBINETTO GAS	KNOB, GAS TAP	KIP
7	0C7332	548876T01	GHIERA MANOPOLA FUOCHI POS.	KNOB RING FOR REAR BURNER	ELX Up to 2023/26
7	0CBB0R	54887FH00	GHIERA MANOPOLA FUOCHI POS.	KNOB RING FOR REAR BURNER	ELX From 2023/27
7	0C7244	548879G00	GHIERA MANOPOLA FUOCHI POS.	KNOB RING FOR REAR BURNER	ZAN, OEM Up to 2023/26
7	0CBB0T	54887FK00	GHIERA MANOPOLA FUOCHI POS.	KNOB RING FOR REAR BURNER	ZAN, OEM From 2023/27
8	0C7292	85089B102	CRUSCOTTO 400mm	CONTROL PANEL 400mm	ELX
8	0C7293	85089B202	CRUSCOTTO 800mm	CONTROL PANEL 800mm	ELX
8	0C7294	85089B602	CRUSCOTTO 1200mm	CONTROL PANEL 1200mm	ELX
8	0C7313	87089GB01	CRUSCOTTO 400mm	CONTROL PANEL 400mm	ZAN
8	0C7314	87089GC01	CRUSCOTTO 800mm	CONTROL PANEL 800mm	ZAN
8	0C7315	87089GF01	CRUSCOTTO 1200mm	CONTROL PANEL 1200mm	ZAN
8	*	800838600	CRUSCOTTO 400mm	CONTROL PANEL 400mm	OEM
8	*	800838700	CRUSCOTTO 800mm	CONTROL PANEL 800mm	OEM
8	0CB116	800838A00	CRUSCOTTO 1200mm	CONTROL PANEL 1200mm	OEM
9	0C6171	541813800	RONDELLA SILICONE	SILICONE WASHER	
10	0C8544	85089F701	RIVESTIMENTO LATERALE TOP	EXTERNAL PANEL TOP	ELX 400mm
10	0C7536	85089F801	RIVESTIMENTO LATERALE TOP	EXTERNAL PANEL TOP	ELX 800mm
10	0CA725	85089F901	RIVESTIMENTO LATERALE TOP	EXTERNAL PANEL TOP	ELX 1200mm

CUCINE GAS TOP E700XP
GAS COOKING TOP E700XP

Pos	Spare Part Code	Factory Code	Descrizione	Description	Ref./Notes
10	0C7268	85089FA01	RIVESTIMENTO LATERALE TOP	EXTERNAL PANEL TOP	ZAN, OEM 400mm
10	0C8464	85089FB01	RIVESTIMENTO LATERALE TOP	EXTERNAL PANEL TOP	ZAN, OEM 800mm
10	0C7392	85089FC01	RIVESTIMENTO LATERALE TOP	EXTERNAL PANEL TOP	ZAN, OEM 1200mm
10	0C8598	85089FF01	RIVESTIMENTO LATERALE + OPEN BASE	EXTERNAL PANEL+ OPEN BASE	ELX 800mm
10	*	85089FG01	RIVESTIMENTO LATERALE + OPEN BASE	EXTERNAL PANEL+ OPEN BASE	ELX 1200mm
10	0CA950	85089FJ01	RIVESTIMENTO LATERALE + OPEN BASE	EXTERNAL PANEL+ OPEN BASE	ZAN, OEM 800mm
10	*	85089FK01	RIVESTIMENTO LATERALE + OPEN BASE	EXTERNAL PANEL+ OPEN BASE	ZAN, OEM 1200mm
11	0CA660	5038A1X02	FONDO CUCINA GAS 400mm	BOTTOM PANEL 400mm	
11	0TTB9W	5038A1W01	FONDO CUCINA GAS 800mm	BOTTOM PANEL 800mm	
11	0C7391	50389WD00	FONDO CUCINA GAS 1200mm	BOTTOM PANEL 1200mm	
11	*	532824700	FONDO VANO 800mm	BOTTOM PANEL OPEN BASE 800mm	
11	*	532824800	FONDO VANO 1200mm	BOTTOM PANEL OPEN BASE 1200mm	
12	026806	315252601	PIEDINO CON VITE	SCREW FOOT, TOP APPLIANCE	
13	0C0137	516860702	PIASTRINA PER GIUNZIONE	JOINTING REAR PLATE	
15	0C0156	527850500	PIASTRA FISSAGGIO FIANCHI	SIDE PANELS JOINTING PLATE	
			PAGINA 3	PAGE 3	
51	0C0202	831800500	TERMOCOPPIA	THERMOCOUPLE	
52	0C0121	214162000	RACCORDO FISS. TERMOCOPPIA	CONNECTION, FIX THERMOCOUPLE	
53	053665	515827401	BICONO PER PILOTA D.4	DOUBLE CONE D.4 FOR PILOT	
53a	0C3645	516888200	BICONO PER PILOTA D.4	DOUBLE CONE D.4 FOR PILOT	
54	052125	214164400	RACCORDO	NUT	
54a	0C3646	516887500	RACCORDO	CONNECTION	
55	0C9553	51589BJ00	CONDUTTURA ANT.PILOTA	FRONTAL PILOT PIPE	
56	0C9552	51589BH00	CONDUTTURA POST.PILOTA	REAR PILOT PIPE	
60	0C0129	510819501	SPARTIFIAMMA DIAM.60	FLAME SPREADER DIAM.60	
61	0C0127	510819303	BRUCIATORE DIAM.60	BURNER DIAM.60	
62	0C0125	510819103	VENTURI X BRUC. DIAM.60	VENTURI DIAM.60	
63	0C2799	835868103	CONDUTTURA ANT.FUOCHI	FRONTAL BURNER PIPE	
64	0C2800	835868203	CONDUTTURA POST.FUOCHI	REAR BURNER PIPE	
65	0C0205	835857202	RUBINETTO GAS CON BRIGLIA	GAS TAP WITH BRIDLE	Up to 2023/26
65	0CBB0G	83587AF00	RUBINETTO GAS CON BRIGLIA	GAS TAP WITH BRIDLE	From 2023/27
66	0C0124	510819004	SUPPORTO VENTURI	HOLDER FOR VENTURI	
67	0C2824	853896200	RIBALTA TOP 400mm	TOP MANIFOLD 400mm	
67	0C2825	853896300	RIBALTA TOP 800mm	TOP MANIFOLD 800mm	
67	0C7855	853896400	RIBALTA TOP 1200mm	TOP MANIFOLD 1200mm	
67	0C7827	83089GW00	RIBALTA SU VANO 800mm	MANIFOLD ON OPEN BASE 800mm	
67	0C7828	83089GX00	RIBALTA SU VANO 1200mm	MANIFOLD ON OPEN BASE 1200mm	
69	0C0140	516863900	FILTRO GAS	GAS FILTER	
70	0C2356	246519800	TAPPO PER RIBALTA	MANIFOLD STOPPER	
71	052127	215199700	BICONO	DOUBLE CONE	
72	0C0188	543829700	GUARNIZIONE OR	O-RING GASKET	

CUCINE GAS TOP E700XP
GAS COOKING TOP E700XP

Pos	Spare Part Code	Factory Code	Descrizione	Description	Ref./Notes
73	0C3644	806854300	PILOTA FUOCHI	PILOT BURNER	Up to 2023/26
73	0CBB0H	80589GU00	PILOTA FUOCHI	PILOT BURNER	From 2023/27
74	0C3643	510823900	SUPPORTO CURVO UGELLO PILOTA	CURVED JET HOLDER	