

FRY TOP GAS E700XP GAS GRIDDLES E700XP

PNC	Model	Ref	Brand	Version	Notes
371029	E7FTGDSS00	a	ELX	GAS	SMOOTH PLATE 400 MM
371030	E7FTGDSR00	b	ELX	GAS	RIBBED PLATE 400 MM
371031	E7FTGHSS00	d	ELX	GAS	SMOOTH PLATE 800 MM
371032	E7FTGHSP00	e	ELX	GAS	SMOOTH+RIBBED PLATE 800 MM
371037	E7FTGDSC00	c	ELX	GAS	SMOOTH CHROME PLATE 400 MM
371038	E7FTGHCS00	f	ELX	GAS	SMOOTH CHROME PLATE 800 MM
371041	E7FTGHCP00	g	ELX	GAS	SMOOTH+RIBBED CHR.PLATE 800MM
371408	E7IIDTAOMCI	c	ELX	GAS	GAS FRY TOP-SMOOTH CHROME PLATE 400 MM
371409	E7IIDTAOMEI	f	ELX	GAS	GAS FRY TOP-SMOOTH CHROME PLATE 800 MM
371410	E7IETAOMEI	g	ELX	GAS	GAS FRYTOP-SMOOTH+RIBBED CHR.PLATE 800MM
372029	Z7FTGDHS00	h	ZAN	GAS	SMOOTH PLATE 400 MM
372030	Z7FTGDSR00	i	ZAN	GAS	RIBBED PLATE 400 MM
372031	Z7FTGHHS00	l	ZAN	GAS	SMOOTH PLATE 800 MM
372032	Z7FTGHSP00	m	ZAN	GAS	SMOOTH+RIBBED PLATE 800 MM
372037	Z7FTGDSC00	n	ZAN	GAS	SMOOTH CHROME PLATE 400 MM
372038	Z7FTGHCS00	o	ZAN	GAS	SMOOTH CHROME PLATE 800 MM
372041	Z7FTGHCP00	p	ZAN	GAS	SMOOTH+RIBBED CHR.PLATE 800MM
372158	Z7FTGDSS0H	q	ZAN	GAS	SMOOTH PLATE 400 MM-HAKVOORT
372409	Z7IIDTAOMCI	n	ELX	GAS	GAS FRY TOP-SMOOTH POLISHED CHROME PLATE 400MM - QMARK
372410	Z7IIDTAOMEI	o	ELX	GAS	GAS FRY TOP-SMOOTH POLISHED CHROME PLATE 800MM - QMARK
372411	Z7IETAOMEI	p	ELX	GAS	GAS FRY TOP-SMOOTH+RIBBED POLISHED CHROME PLATE 800MM - QMARK
373029	A7FTGDHS00	r	OEM	GAS	SMOOTH PLATE 400 MM
373030	A7FTGDSR00	s	OEM	GAS	RIBBED PLATE 400 MM
373031	A7FTGHHS00	t	OEM	GAS	SMOOTH PLATE 800 MM
373032	A7FTGHSP00	u	OEM	GAS	SMOOTH+RIBBED PLATE 800 MM
373037	A7FTGDSC00	v	OEM	GAS	SMOOTH CHROME PLATE 400 MM
373038	A7FTGHCS00	w	OEM	GAS	SMOOTH CHROME PLATE 800 MM
373041	A7FTGHCP00	z	OEM	GAS	SMOOTH+RIBBED CHR.PLATE 800MM
373224	A7FTGDSS0K	A1	KIP	GAS	SMOOTH PLATE 400 MM
373225	A7FTGDSR0K	B1	KIP	GAS	RIBBED PLATE 400 MM
373226	A7FTGHSS0K	C1	KIP	GAS	SMOOTH PLATE 800 MM
373227	A7FTGHSP0K	D1	KIP	GAS	SMOOTH+RIBBED PLATE 800MM

Index

General components / Componenti struttura
Gas components and nozzles / Componenti gas e ugelli
Nozzles tables / Tabelle ugelli
Spare parts list / Lista ricambi

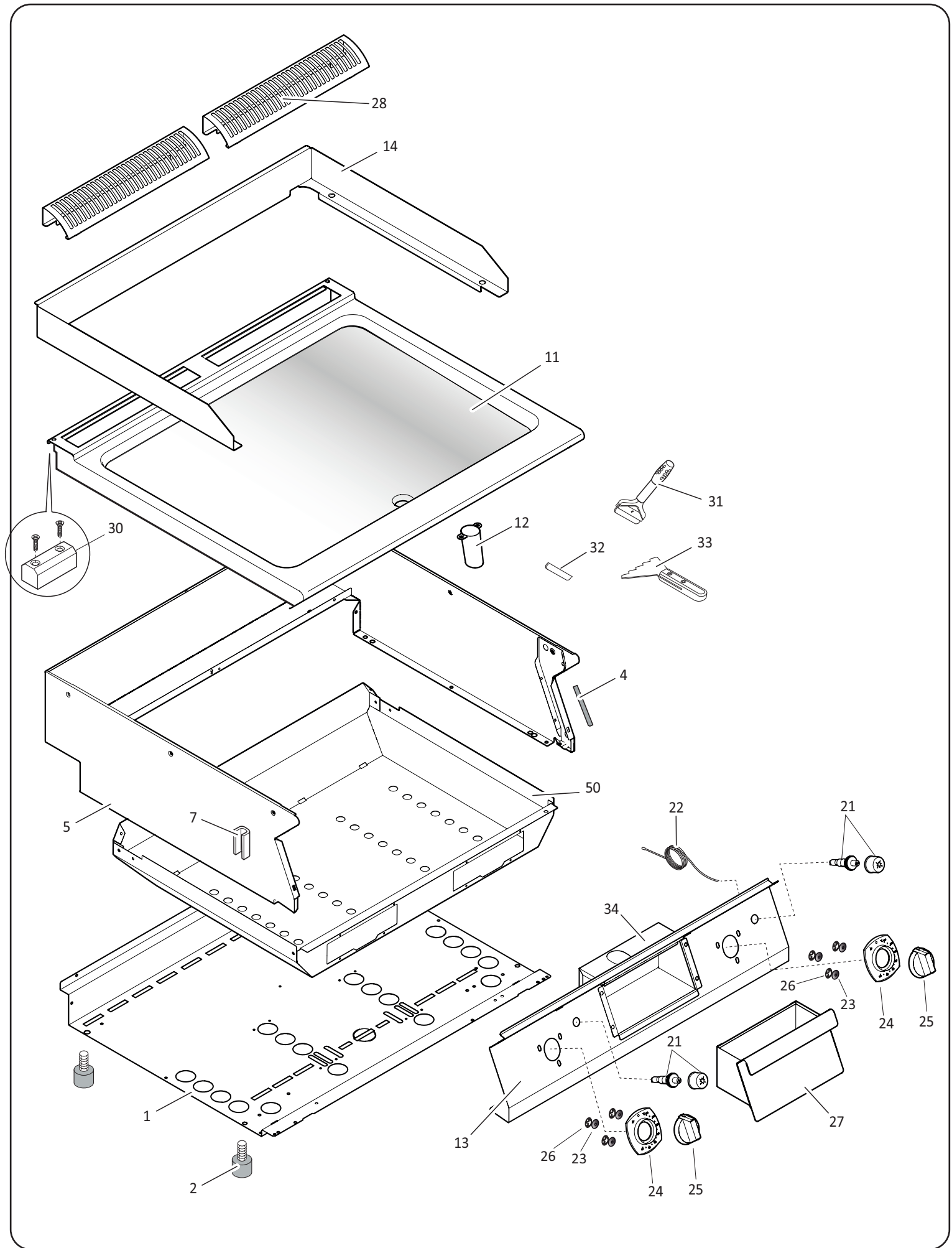
Page

2
3-4
5
6-8

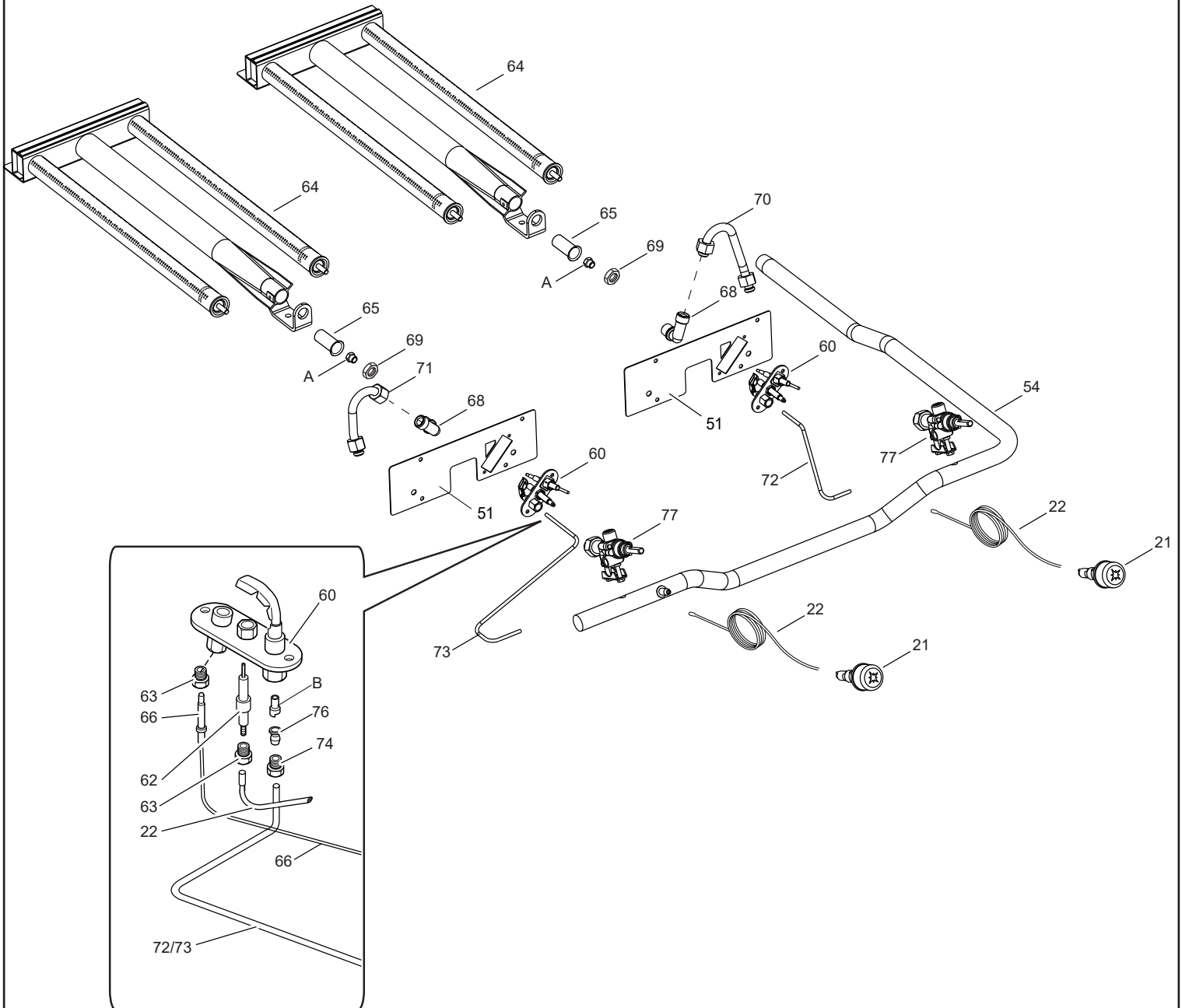
Rev. 6

Bold=last change / Grassetto =ultima modifica

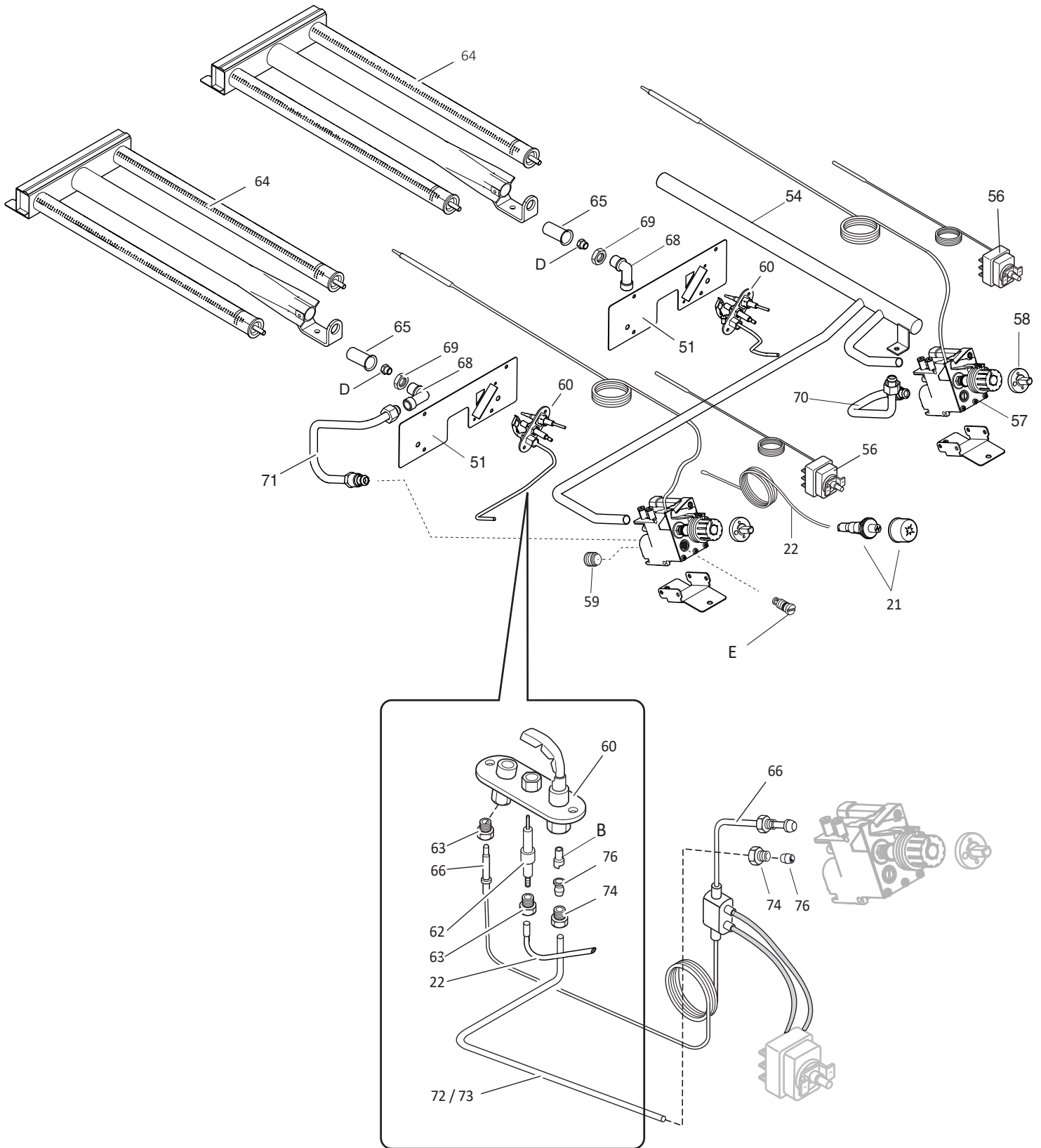
From Ser. Nr.016 Up to Ser. Nr.	Ed. 2011-04 Updated 2023-10	Page: 1	Doc No:59785DW00
------------------------------------	--------------------------------	---------	-------------------------



Mild steel plate - Piastra ferro



Chrome plate - Piastra cromo



A - Ugello bruciatore / Burner nozzle			
6DGT Code	Ref. / Notes		
0A2533	ø1.35	3+3B/P	G30 30mbar
002393	ø1.30	3B/P	G30 37mbar
0A2650	ø1.20	3B/P	G30 50mbar
0A2102	ø2.00	2H/2E+	G20 20mbar
A05176400	ø1.85	2H	G20 25mbar
058335	Ø2.05	2L	G25 25mbar
0A2301	ø1.95	2K	G25.3 25mbar
0A2083	ø2.20	2ELL	G25 20mbar
059418	ø2.15	2S	G25.1 25mbar
0A2306	ø4.00	No CE	G110 8mbar

B - Ugello pilota / Pilot nozzle			
6DGT Code	Ref. / Notes		
059216	n°14	3+3B/P	G30 30mbar
059216	n°14	3B/P	G30 37mbar
059216	n°14	3B/P	G30 50mbar
059215	n°27	2H/2E+	G20 20mbar
059215	n°27	2H	G20 25mbar
059215	n°27	2L	G25 25mbar
059215	n°27	2K	G25.3 25mbar
059215	n°27	2ELL	G25 20mbar
059215	n°27	2S	G25.1 25mbar
059356	n°50	No CE	G110 8mbar

C - Vite di minimo / Min screw			
6DGT Code	Ref. / Notes		
004595	n°100	3+3B/P	G30 30mbar
004595	n°100	3B/P	G30 37mbar
002926	n°90	3B/P	G30 50mbar
002994	n°145	2H/2E+	G20 20mbar
002994	n°145	2H	G20 25mbar
002994	n°145	2L	G25 25mbar
002994	n°145	2K	G25.3 25mbar
002994	n°145	2ELL	G25 20mbar
002994	n°145	2S	G25.1 25mbar
/	adjust	No CE	G110 8mbar

D - Ugello bruciatore Crh / Burner nozzle Crh			
6DGT Code	Ref. / Notes		
0A2533	ø1.35	3+3B/P	G30 30mbar
002393	ø1.30	3B/P	G30 37mbar
0A2650	ø1.20	3B/P	G30 50mbar
0A2102	ø2.00	2H/2E+	G20 20mbar
A05176400	ø1.85	2H	G20 25mbar
058335	ø2.05	2L	G25 25mbar
0A2102	ø2.00	2K	G25.3 25mbar
0A2083	ø2.20	2ELL	G25 20mbar
059418	ø2.15	2S	G25.1 25mbar
002979	ø3.80	No CE	G110 8mbar

E - Vite di minimo Crh/ Min screw Crh			
6DGT Code	Ref. / Notes		
003321	n°110	3+3B/P	G30 30mbar
004602	n°100	3B/P	G30 37mbar
0C2987	n°90	3B/P	G30 50mbar
0A5422	n°160	2H/2E+	G20 20mbar
003159	n°140	2H	G20 25mbar
0A5422	n°160	2L	G25 25mbar
0A5422	n°160	2K	G25.3 25mbar
0A5422	n°160	2ELL	G25 20mbar
0A5422	n°160	2S	G25.1 25mbar
/	adjus	No CE	G110 8mbar

FRY TOP GAS E700XP
GAS GRIDDLES E700XP

Pos	Factory Code	Spare Code	Descrizione	Description	Ref./Notes
1	5038A2D01	0CB868	FONDO 400mm	BOTTOM PANEL 400mm	
1	5038A2C01	0CB183	FONDO 800mm	BOTTOM PANEL 800mm	
2	315252601	026806	PIEDE	FOOT	
5	85089F701	0C8544	RIVESTIMENTO LATERALE 400 mm	EXTERNAL PANEL 400 mm	ELX 400
5	85089FA01	0C7268	RIVESTIMENTO LATERALE 400 mm	EXTERNAL PANEL 400 mm	ZAN, OEM 400
5	85089F801	0C7536	RIVESTIMENTO LATERALE 800 mm	EXTERNAL PANEL 800 mm	ELX 800
5	85089FB01	0C8464	RIVESTIMENTO LATERALE 800 mm	EXTERNAL PANEL 800 mm	ZAN, OEM 800
7	527850500	0C0156	PIASTRINA FACCIATA FIANCO	SIDE PANEL JOINTING PLATE	
11	87589AB00	0C7691	RIPIANO 400mm FE-LISC.	TOP 400mm iron SMOOTH	a, untill ser. 210
11	87589C600	0C8574	RIPIANO 400mm FE-LISC.	TOP 400mm iron -SMOOTH	a, from ser. 211
11	87589AC00	0C7692	RIPIANO 400mm FE-RIG.	TOP 400mm iron -RIBBED	b, untill ser. 210
11	87589C800	0C8577	RIPIANO 400mm FE-RIG.	TOP 400mm iron -RIBBED	b, from ser. 211
11	87589AG00	0C7873	RIPIANO 400mm CR	TOP 400mm CHROME	c untill ser. 209
11	87589CJ02	0C8581	RIPIANO 400mm CR	TOP 400mm CHROME	c, from ser. 210
11	87589AD00	0C7693	RIPIANO 800mm FE-LISC.	TOP 800mm iron -SMOOTH	d., untill ser. 209
11	87589C700	0C8575	RIPIANO 800mm FE-LISC.	TOP 800mm iron -SMOOTH	d, from ser. 210
11	87589AF00	0C7694	RIPIANO 800mm FE-1/3RIG.	TOP 800mm iron -RIBBED	e, untill ser. 209
11	87589C900	0C8578	RIPIANO 800mm FE-1/3RIG.	TOP 800mm iron -RIBBED	e, from ser. 210
11	87589AK00	0C7697	RIPIANO 800mm CR	TOP 800mm CHROME	f, untill ser. 209
11	87589CC03	0C8579	RIPIANO 800mm CR	TOP 800mm CHROME	f, from ser. 210
11	87589AL00	0C7698	RIPIANO 800mm CR +1/3RIG.	TOP 800mm CHROME-1/3 RIBBED	g, untill ser. 208
11	87589CF03	0C8580	RIPIANO 800mm CR +1/3RIG.	TOP 800mm CHROME-1/3 RIBBED	g, from ser. 209
11	87089JH00	0C7668	RIPIANO 400mm FE-LISC.	TOP 400mm iron -SMOOTH	r, untill ser. 209
11	87589CL00	0C8582	RIPIANO 400mm FE-LISC.	TOP 400mm iron -SMOOTH	r, from ser. 210
11	87089JH00	0C7668	RIPIANO 400mm FE-LISC.	TOP 400mm iron -SMOOTH	h, q , untill ser. 209
11	87589CL00	0C8582	RIPIANO 400mm FE-LISC.	TOP 400mm iron -SMOOTH	h, q , from ser. 210
11	87089JJ00	0C7669	RIPIANO 400mm FE-RIG.	TOP 400mm iron -RIBBED	i, s, untill ser. 210
11	87589CM00	0C8583	RIPIANO 400mm FE-RIG.	TOP 400mm iron -RIBBED	i, s, from ser. 210
11	87089HF00	0C7667	RIPIANO 400mm CR	TOP 400mm CHROME	n, v, untill ser. 208
11	87589CQ03	0C8586	RIPIANO 400mm CR	TOP 400mm CHROME	n, v, from ser. 209
11	87089K100	0C7678	RIPIANO 800mm FE-LISC.	TOP 800mm iron -SMOOTH	l, t., untill ser. 209
11	87589CS00	0C8588	RIPIANO 800mm FE-LISC.	TOP 800mm iron -SMOOTH	l, t., from ser. 209
11	87089K200	0C7679	RIPIANO 800mm FE-1/3RIG.	TOP 800mm iron -RIBBED	m, u, untill ser. 209
11	87589CT00	0C8589	RIPIANO 800mm FE-1/3RIG.	TOP 800mm iron -RIBBED	m, u, from ser. 210
11	87089K300	0C7680	RIPIANO 800mm CR	TOP 800mm CHROME	o, untill ser. 210
11	87589CW03	0C8592	RIPIANO 800mm CR	TOP 800mm CHROME	o, from ser. 211
11	87089K300	0C7680	RIPIANO 800mm CR	TOP 800mm CHROME	w, untill ser. 211
11	87589CW03	0C8592	RIPIANO 800mm CR	TOP 800mm CHROME	w, from ser. 212
11	87089K500	0C7682	RIPIANO 800mm CR +1/3RIG.	TOP 800mm CHROME-RIBBED	p, z, untill 210
11	87589CY03	0C8594	RIPIANO 800mm CR +1/3RIG.	TOP 800mm CHROME-RIBBED	p, z, from ser 211
12	806860103	0C6237	TUBO DI SCARICO	DRAIN PIPE	
13	87089JR04	0C7672	CRUSCOTTO 400mm	CONTROL PANEL 400mm	ELX
13	85589B804	0C7663	CRUSCOTTO 800mm	CONTROL PANEL 800mm	ELX
13	85589B904	0C7870	CRUSCOTTO 400mm	CONTROL PANEL 400mm	ELX - CHROME
13	85589C703	0C7664	CRUSCOTTO 800mm	CONTROL PANEL 800mm	ELX - CHROME
13	87089JQ04	0C7671	CRUSCOTTO 400mm	CONTROL PANEL 400mm	ZAN
13	87089MU04	0C8572	CRUSCOTTO 800mm	CONTROL PANEL 800mm	ZAN
13	87089JM04	0C7670	CRUSCOTTO 400mm	CONTROL PANEL 400mm	ZAN - CHROME
13	87089K403	0C7681	CRUSCOTTO 800mm	CONTROL PANEL 800mm	ZAN - CHROME

FRY TOP GAS E700XP
GAS GRIDDLES E700XP

Pos	Factory Code	Spare Code	Descrizione	Description	Ref./Notes
13	87089LW05	0C7688	CRUSCOTTO 400mm	CONTROL PANEL 400mm	OEM
13	87089MV05	0C8573	CRUSCOTTO 800mm	CONTROL PANEL 800mm	OEM
13	87089LX04	0C7689	CRUSCOTTO 400mm	CONTROL PANEL 400mm	OEM - CHROME
13	87089LY04	0C7690	CRUSCOTTO 800mm	CONTROL PANEL 800mm	OEM - CHROME
14	532806904	0C2964	PARASPRUZZI 400 mm	SPLASHBACK 400 mm	
14	532807104	0C2965	PARASPRUZZI 800 mm	SPLASHBACK 800 mm	
21	835829600	059251	ACCENDITORE PIEZO	PIEZOELECTRIC IGNITER	
22	638883500	006514	CAVO ACCENDITORE	IGNITION CABLE	
23	541813800	0C6171	RONDELLA SILICONE	SILICONE WASHER	
24	548876T01	0C7332	GHIERA RUBINETTO	KNOB RING, GAS TAP	ELX
24	548879N00	0C7571	GHIERA RUBINETTO	KNOB RING, GAS TAP	ZAN, OEM
24	548877R00	0C7637	GHIERA VALVOLA EUROSIT	KNOB RING, GAS VALVE	ELX - CHROME
24	54887A000	0C7661	GHIERA VALVOLA EUROSIT	KNOB RING, GAS VALVE	ZAN, OEM - CHROME
25	54887AV00	0C8645	MANOPOLA RUBINETTO	KNOB, GAS TAP	ELX
25	548878101	0C7425	MANOPOLA RUBINETTO	KNOB, GAS TAP	ZAN
25	548865600	0C1007	MANOPOLA RUBINETTO	KNOB, GAS TAP	OEM
25	548876W00	0C6746	MANOPOLA RUBINETTO	KNOB, GAS TAP	KIP, A1,B1,C1,D1
25	511850G01	0C6670	MANOPOLA VALVOLA GAS	KNOB, GAS VALVE	ELX - CHROME
25	548878001	0C7180	MANOPOLA VALVOLA GAS	KNOB, GAS VALVE	ZAN - CHROME
25	548865700	0C1380	MANOPOLA VALVOLA GAS	KNOB, GAS VALVE	OEM - CHROME
26	218912211	069567	MOLLA FISSAGGIO GHIERA	SPRING, KNOB RING	
27	85089CW01	0C7868	CASSETTO 400mm	DRAWER 400mm	
27	85089CY01	0C7662	CASSETTO 800mm	DRAWER 800mm	
28	50389LP00	0C7333	GRIGLIA CAMINO	GRID CHIMNEY	
30	516860702	0C0137	PIASTRINA UNIONE POST.	PLATE REAR JOINTING	
31	0805848204	055995	RASCHIETTO PER PIASTRA LISCIA	SCRAPER FOR SMOOTH PLATE	
32	0506887401	056347	LAMA PER RASCHIETTO	BLADE FOR SCRAPER	
33	0830851300	056940	RASCHIETTO PER PIASTRA RIGATA	SCRAPER FOR RIBBED PLATE	
34	50489UH00	*	GUIDA CASSETTO	DRAWER RUNNER	400 mm
34	50489UG00	*	GUIDA CASSETTO	DRAWER RUNNER	800 mm
50	50289D300	0CB765	CAMERA COMBUSTIONE	COMBUSTION CHAMBER	800 mm
50	50289D400	0CB125	CAMERA COMBUSTIONE	COMBUSTION CHAMBER	400 mm
51	50589DS00	0CBAEB	CHIUSURA ANTERIORE	FRONT CLOSING PANEL	
54	856801501	0C3067	RIBALTA 400mm	GAS MANIFOLD 400mm	
54	856801602	0C3068	RIBALTA 800mm	GAS MANIFOLD 800mm	
54	856801704	0C3069	RIBALTA 400mm VALVOLATO	GAS MANIFOLD 400mm	Chrome plate
54	856801804	0C3070	RIBALTA 800mm VALVOLATO	GAS MANIFOLD 800mm	Chrome plate
56	646808600	004600	LIMITATORE TEMPERATURA	SAFETY THERMOSTAT	Chrome plate
57	835873700	0C6235	VALVOLA EUROSIT	GAS VALVE	Chrome plate
58	54887AD00	0C8571	PROLUNGA MANOPOLA	EXTENSION KNOB	Chrome plate
59	516865800	0C0625	TAPPO VALVOLA	STOPPER GAS VALVE	Chrome plate
60	830884101	0C7102	PILOTA	PILOT BURNER	
62	830863300	059380	ELETTRODO	ELECTRODE	
63	214164101	057960	RACCORDO ELETTRODO	PIPE FITTING, ELECTRODE	
64	830883404	004591	BRUCIATORE	BURNER	
65	215088100	052062	BOCCOLA REGOL. ARIA	BUSH FOR AIR REGULATION	
66	830853101	051119	TERMOCOPPIA	THERMOCOUPLE	Mild steel plate
66	831818901	0C3162	TERMOCOPPIA INTERROTTA	INTERRUPTED THERMOCOUPLE	Chrome plate
68	511805801	059375	PORTAUGELLO	NOZZLE HOLDER	
69	214105101	020997	CONTRODADO	LOCK NUT	

FRY TOP GAS E700XP
GAS GRIDDLES E700XP

Pos	Factory Code	Spare Code	Descrizione	Description	Ref./Notes
70	806846001	0C5160	CONDUTTURA GAS	GAS PIPE	Mild steel plate - 400
70	806846802	0C5159	CONDUTTURA GAS DESTRA	GAS PIPE RIGHT SIDE	Mild steel plate - 800 DX
70	806846203	0C5162	CONDUTT. DX GAS VALVOLATO	GAS PIPE RIGHT SIDE	Chrome plate - 400 Chrome plate - 800 DX
71	806846901	0C5163	CONDUTTURA GAS SINISTRA	GAS PIPE LEFT SIDE	Mild steel plate - 800 SX
71	806846103	0C5161	CONDUTT. SX GAS VALVOLATO	GAS PIPE LEFT SIDE	Chrome plate - 800 SX
72	517896102	0C5046	CONDUTTURA PILOTA	PILOT GAS PIPE	Mild steel plate - 400 Mild steel plate - 800 DX
72	517896201	0C6236	CONDUTTURA PILOTA	PILOT GAS PIPE	Chrome plate - 400 Chrome plate - 800 DX
73	517896502	0C5071	COND. PILOTA SINISTRA	PILOT GAS PIPE LEFT SIDE	Mild steel plate - 800 SX
73	517896301	0C6239	COND. PILOTA SINISTRA	PILOT GAS PIPE LEFT SIDE	Chrome plate - 800 SX
74	214164400	052125	RACCORDO PILOTA	PIPE FITTING, PILOT	
75	215199700	052127	BICONO PILOTA RUBINETTO	DOUBLE CONE, PILOT GAS TAP	Mild steel plate
76	517808700	059161	BICONO PILOTA	DOUBLE CONE, PILOT	
77	835857202	0C0205	RUBINETTO GAS	GAS TAP	Mild steel plate

Electrolux Professional SpA
Viale Treviso, 15
33170 Pordenone, ITALY
Fax (+39) 0434 380 201
<https://www.electroluxprofessional.com>
<https://webgate.electroluxprofessional.com>